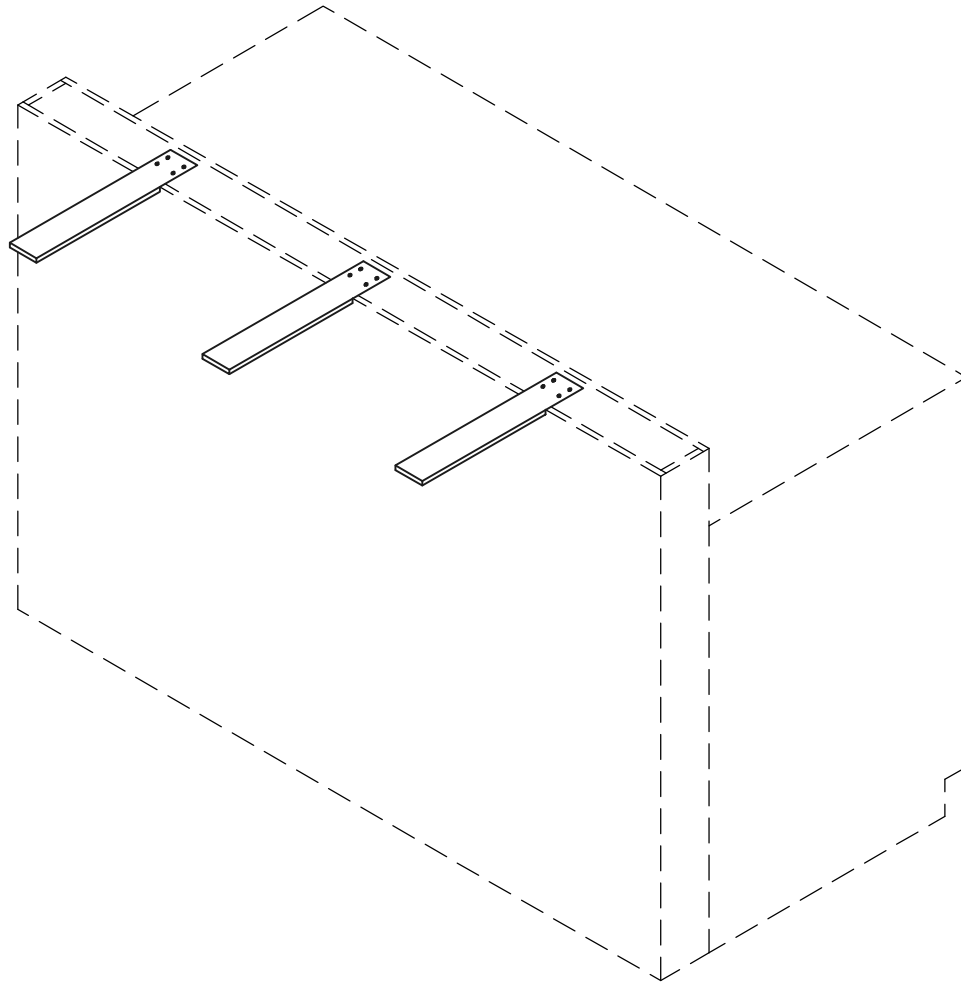


# Blasius Inc. - Suggested steel supports under large overhang, for stone countertops.



#02 Upper Bar Steel Support Inserts  
3/8" x 4" painted steel recessed into stud wall

Recommended:  
4' Top - 2 Supports  
6' Top - 3 Supports  
8' Top - 4 Supports